

simplyCAN



The Ixxat simplyCAN is a simple, uncomplicated and very cost-efficient way to connect a computer plug-and-play to a CAN bus network. It can be easily integrated into customer applications using a straightforward API and requires no driver installation for operation.

The simplyCAN device comes with a simple monitoring tool for Windows and Linux, which can be used for commissioning of the adapter as well as for displaying messages in raw format and for sending individual messages.

FEATURES AND BENEFITS

- Inexpensive and easy to install – no driver installation required
- Galvanic isolation
- Compatible with USB 1.1, USB 2.0, and USB 3.x
- Simple API interface for fast integration into customer applications
- Optimized for diagnosis and commissioning of devices and systems with CAN bus interface

ORDER NUMBER	1.01.0001.12001
CAN channels (high-speed)	1
CAN bus interface	1 x D-Sub 9, CiA standard pinning according to CiA 303-1
CAN bit rates	10 kbit/s to 1 Mbit/s, only CiA recommended bit rates are supported: 10, 20, 50, 125, 250, 500, 800, 1000 kbit/s
CAN bus termination resistors	-
CAN high-speed transceiver	SN65HVD251
Galvanic isolation	800 V DC/500 V AC for 1 min
USB interface	USB 1.1 Full-Speed (12 Mbit/s), compatible with USB 2.0 and USB 3.x
USB connector	Type-A connector
Power supply	+5 V DC/100 mA (via USB port)
Power consumption	100 mA
Dimensions	80 x 50 x 22 mm
Weight	Approx. 100 g
Operating temperature	-20 °C to +70 °C
Storage temperature	-40 °C to +85 °C
Protection class	IP40

ORDER NUMBER	1.01.0001.12001
Relative humidity	10 to 95 %, non-condensing
Certification	CE, FCC
Housing material	ABS plastic
LED	2 x LEDs for CAN and USB communication
Operating systems	simplyCAN is tested on Windows 7 (32 bit and 64 bit) and Windows 10 (64 bit), Ubuntu 14.04 on Linux kernel version 4.4 as well as Ubuntu 18.04 on Linux kernel version 4.15 on Intel/AMD proc

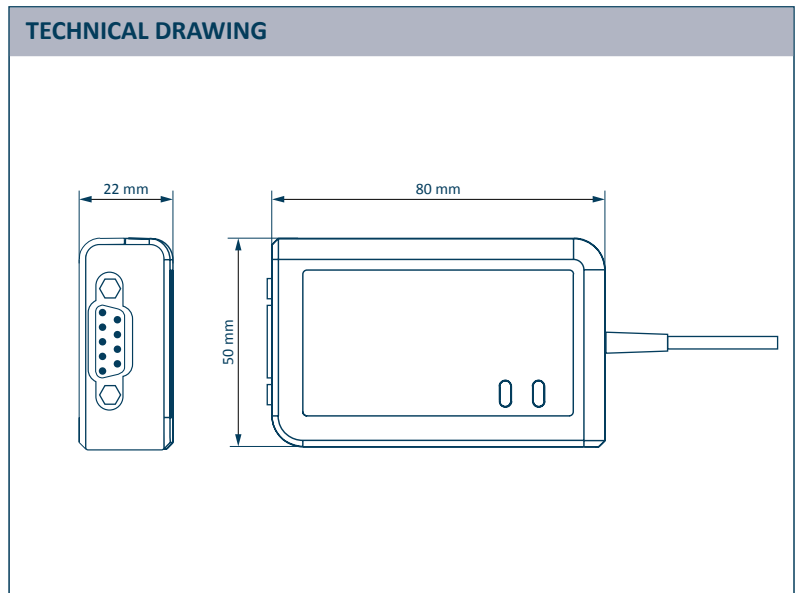


ACCESSORIES	ORDER NUMBER
Termination adapter for CAN/CAN FD (D-Sub plug to socket)	1.04.0075.03000
CAN cable 2.0 m (D-Sub plug to socket)	1.04.0076.00180
CAN Y cable 0.22 m	1.04.0076.00001
CAN Y cable 2.1 m	1.04.0076.00002

PIN ALLOCATION

CAN CONNECTOR D-Sub 9

Pin no.	Signal
7	CAN-High
2	CAN-Low
3, 6	CAN-GND



SOFTWARE SUPPORT

Drivers and programming interfaces

HMS offers for the simplyCAN free driver packages for Windows, Linux and Raspberry Pi. The driver packages also include a programming interface, enabling customers to develop own analysis, control or configuration applications based on the simplyCAN. File downloads and further information can be found on the Ixxat website.

Software tools

simplyCAN comes with a simple monitoring tool for Windows and Linux, which can be used for commissioning of the adapter as well as for displaying messages in raw format and for sending individual messages.